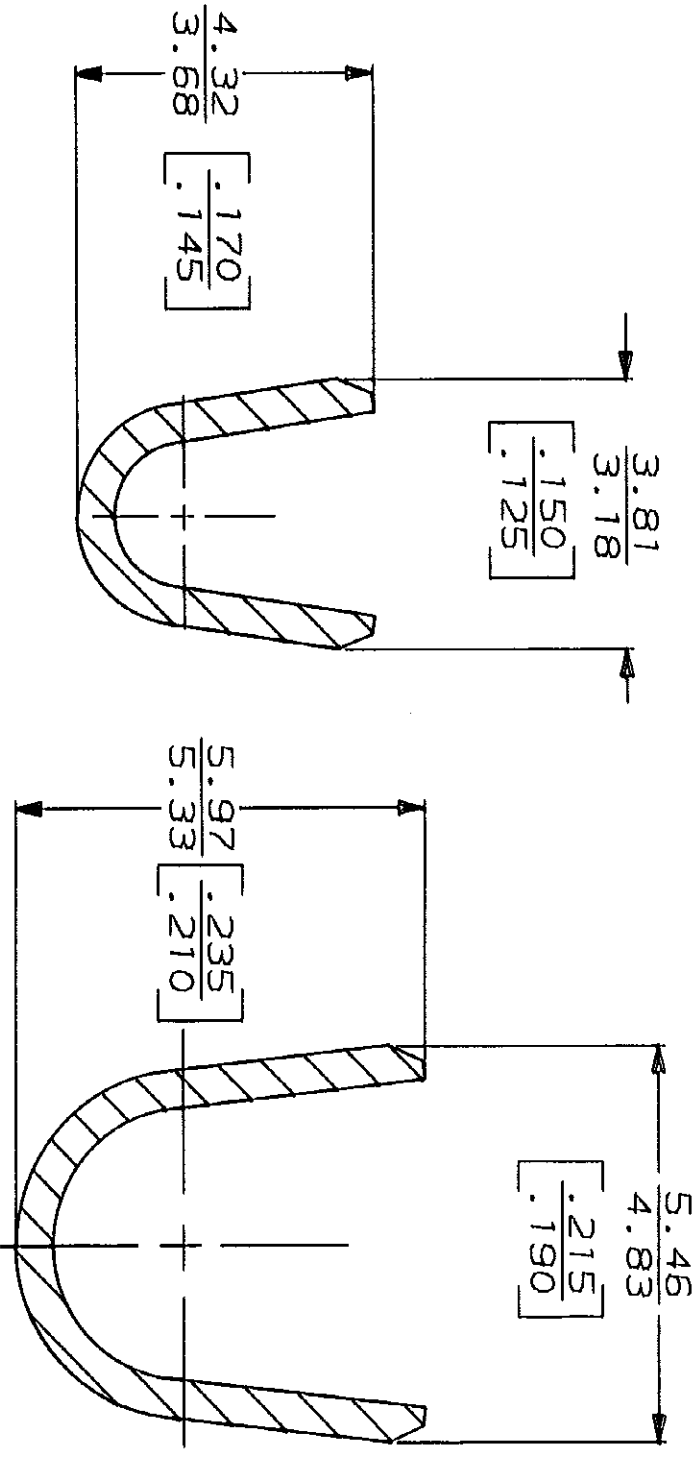
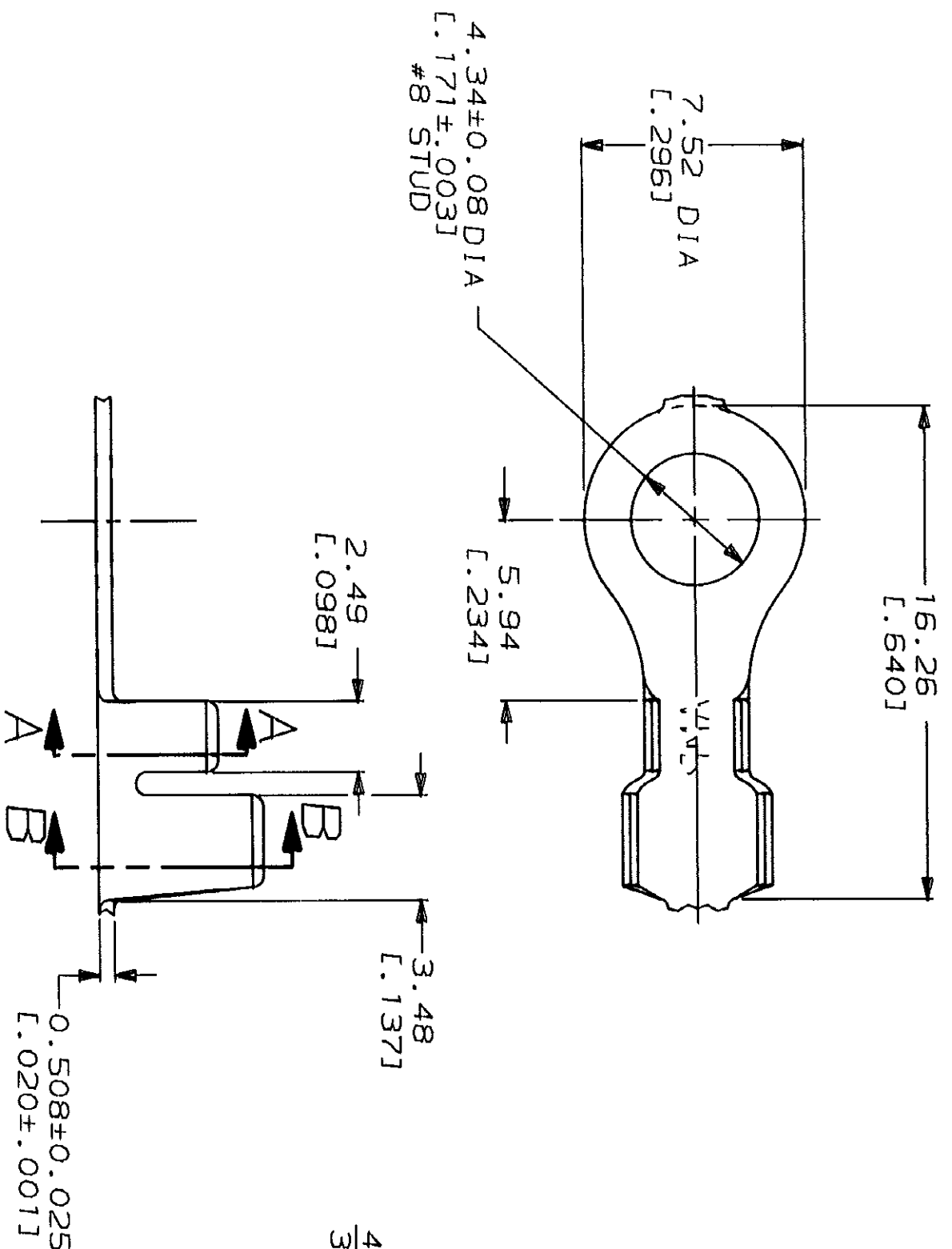


LOC	DIST	REVISIONS		DATE	APPD
AF	50	P	F	7/22/91	PF/GY
		ZONE	LTR	DESCRIPTION	
		M		REDRAWN AND SEPARATED FROM 40623 PER AF-7551	

1 CONTINUOUS STRIP ON REEL.



METRIOR

TYPE	WIDTH	STRIP LENGTH ±0.38 [±.015]	TYPE	WIDTH	±0.051 HEIGHT [E.002]	WIRE
F OR 0	4.57 [180]	4.06 [160]	F	3.05 [120]	1.70 [067]	0.8mm [18]
INSUL BARREL CRIMP			WIRE BARREL CRIMP			

DO NOT SCALE PRINT. UNLESS SPECIFIED DIMENSIONS IN INCHES! TOLERANCES ON: 1. PLG DEC ± 0.25 [1.010] 2. PLG DEC ± 3 ANGLES MATERIAL: 082 BRASS	DR P FORNEY 7/22/91	AMP	AMP Incorporated
	CHK MS FEHR 8/9/91	NAME	Harrisburg, PA 17105-3508
	APPD G VETTER 8/12/91	PRODUCT SPEC	RING
	APPD R MERVILL 8/12/91	APPLICATION SPEC	
	FINISH	SCALE	5:1
	WEIGHT	SHEET	1 OF 1

3.05-4.32 DIA [1.20-.170]	0.8-2.0mm [18-14] AWG	41559
INSULATION RANGE	WIRE RANGE	PART NO